

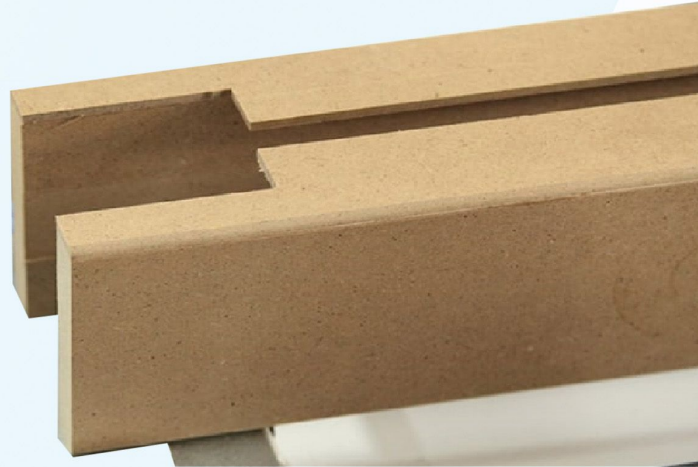
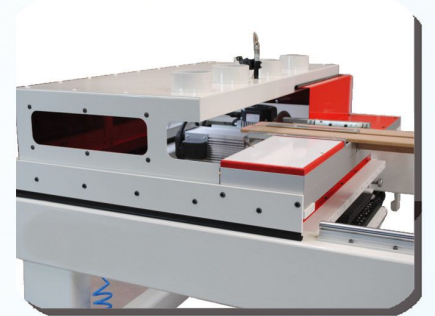
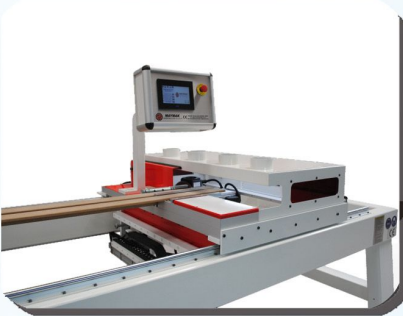
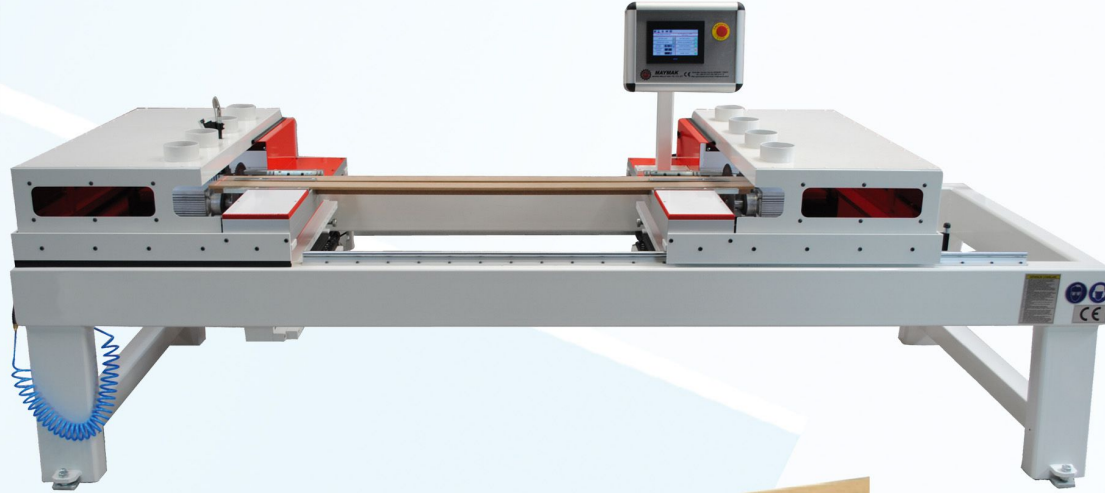


ÜNVER®

AĞAÇ İŞLEME MAKİNALARI

SINCE 1980

L KAPI PERVAZI KESİM MAKİNASI L DOOR ARCHITRAVE CUTTING MACHINE



MAĞAZA / SHOWROOM
Önder Mah. Ereğli Cad. No: 11
Siteler / Altındağ / ANKARA / TURKEY
Tel: +90 312 349 68 68 - 69
Fax: +90 312 351 80 80

FABRİKA / FACTORY
Tezcan Sokak No:17 B/C/D
Siteler / ANKARA / TURKEY
Tel: +90 312 815 15 58
Fax: +90 312 815 15 59



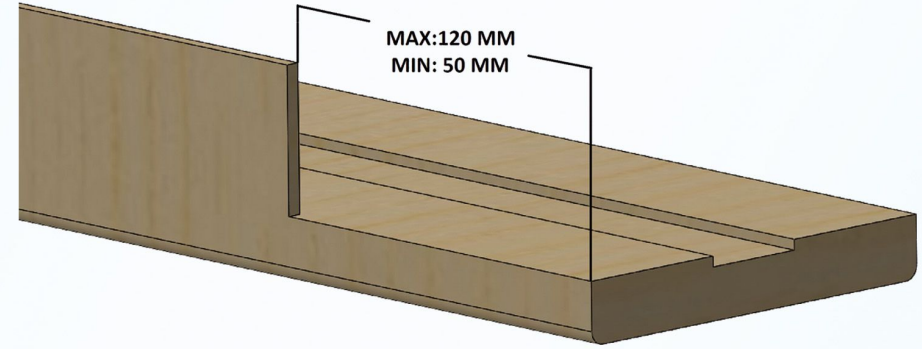
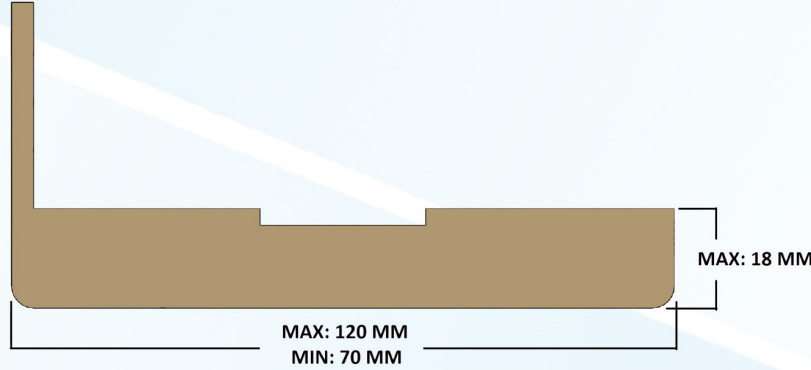
www.unvermakina.com.tr | unvermakina@unvermakina.com.tr
www.instagram.com/unver_makina | www.facebook.com/unvermakina



ÜNVER®

AĞAÇ İŞLEME MAKİNALARI

SINCE 1980



L KAPI PERVAZI KESİM MAKİNASI

L DOOR ARCHITRAVE CUTTING MACHINE

TEKNİK ÖZELLİKLER	TECHNICAL INFORMATIONS	L KAPI PERVAZI KESİM MAKİNASI
MAKSİMUM KESME BOYU	MAXIMUM CUTTING LENGTH	2.500 MM
MINIMUM KESME BOYU	MINIMUM CUTTING LENGTH	700 MM
MAKSİMUM PERVAZ YÜKSEKLİĞİ	MAXIMUM DOOR ARCHITRAVE HEIGHT	18 MM
MAKSİMUM PERVAZ GENİŞLİĞİ	MAXIMUM DOOR ARCHITRAVE WIDTH	120 MM
MAKSİMUM L KESİM ÖLÇÜSÜ	MAXIMUM L CUTTING LENGTH	120 MM
MINIMUM L KESİM ÖLÇÜSÜ	MINIMUM L KESİM ÖLÇÜSÜ	50 MM
OPERASYON SÜRESİ	OPERATION TIME	20 SN. (SEC.)
TESTERE ÇAPLARI VE DEVİRLERİ	SAW BLADE DIAMETERS AND R.P.M	320 MM & 2.2 KW (3 HP) 300 MM & 1.5 KW (2 HP)
ÖLÇÜ AYARLAMA	SIZE ADJUSTMENT	OTOMATİK / AUTOMATIC
ÇALIŞMA MODLARI	WORKING MODES	ÇİFT TARAFI L KESİM / BOTH SIDE L CUTTING ÇİFT TARAFI DÜZ KESİM / BOTH SIDE STRAIGHT CUTTING L VE DÜZ KESİM / L AND STRAIGHT CUTTING
VOLTAJ	VOLTAGE	380 V & 50 HZ
HAVA BASINCI	AIR PRESSURE	6 BAR
BOY X EN X YÜKSEKLİK	LENGTH X WIDTH X HEIGHT	3.6 X 1.45 X 1.6 M
AĞIRLIK	WEIGHT	1.000 KG

MAĞAZA / SHOWROOM

Önder Mah. Ereğli Cad. No: 11

Siteler / Altındağ / ANKARA / TURKEY

Tel: +90 312 349 68 68 - 69

Fax: +90 312 351 80 80

FABRİKA / FACTORY

Tezcan Sokak No:17 B/C/D

Siteler / ANKARA / TURKEY

Tel: +90 312 815 15 58

Fax: +90 312 815 15 59



www.unvermakina.com.tr | unvermakina@unvermakina.com.tr

www.instagram.com/unver_makina | www.facebook.com/unvermakina